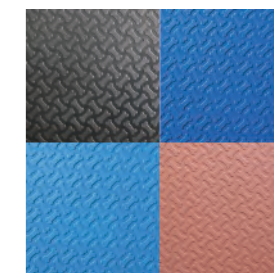


## Foldable Grooming Table Model: GT-1, GT-2, GT-3



### Features:

- 1) The foot is made of 304 stainless steel. It's attractive and durable.
- 2) It adopts the foldable structure. The compact package can save the storage space.
- 3) The table-top pattern is beautiful and the material is good skid-proof function.
- 4) The foldable grooming arm is elegant and strong.



### Standard Size:

GT-1: 110\*60\*78cm

GT-2: 95\*55\*78cm

GT-3: 81\*52\*78cm

### Optional Color:

Orange, Dark Blue, Light Bule, Black.

Portable Foldable Grooming Table

Model: GT-5

Features:

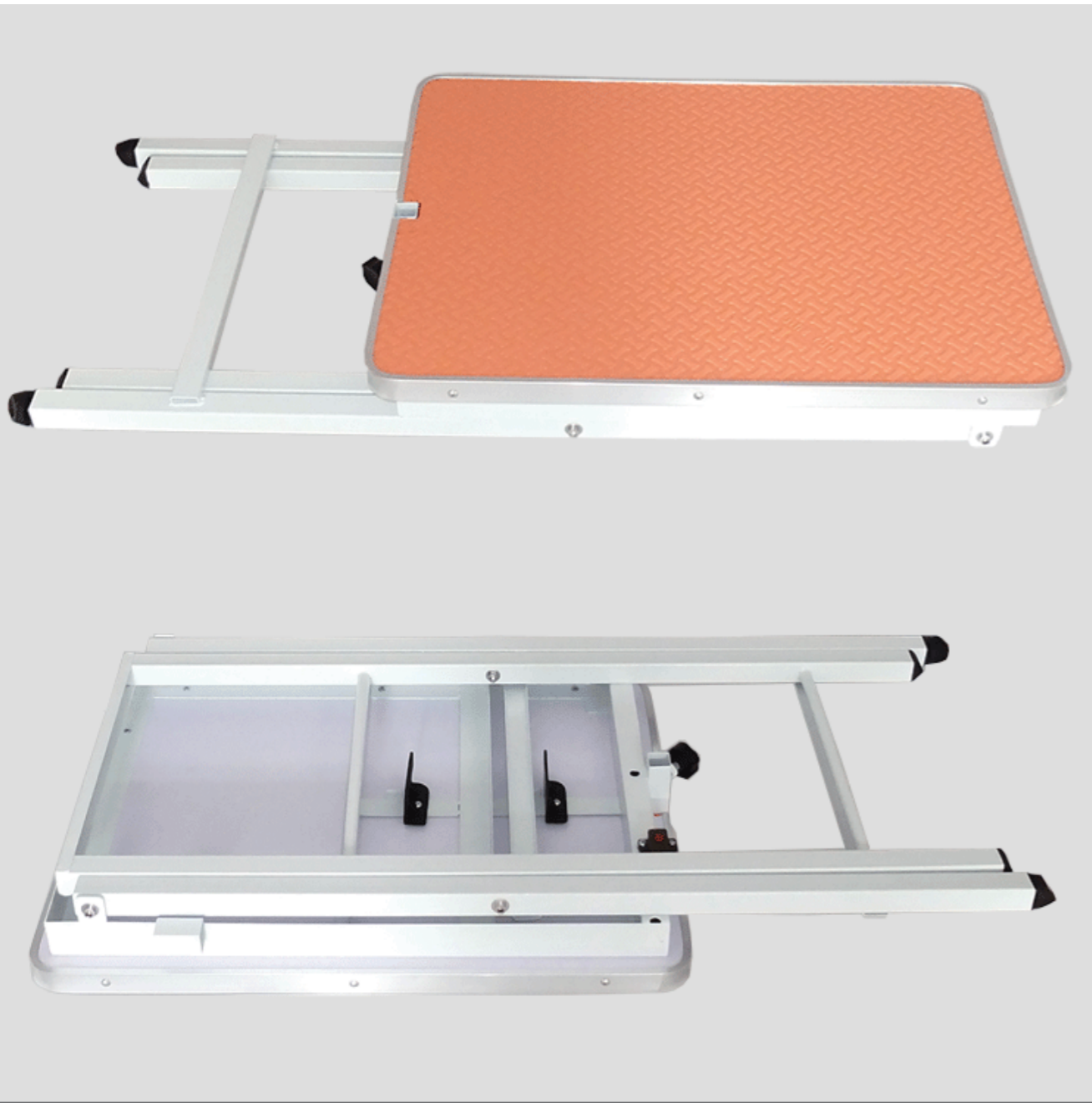
- 1) This table is portable, foldable and easy to carry everywhere.
- 2) The table-top pattern is beautiful and the material is good skid-proof function.
- 3) The foldable grooming arm is elegant and strong.

Standard Size:

GT-5: 60\*45\*(73~82)cm

Optional Color:

Orange, Dark Blue, Light Bule, Black.



Foldable Grooming Table

Model: BT-501, BT-502, BT-503, BT-504, BT-305

Features:

- 1) The tabletop is made of high density board, skid-proof rubber, aluminum alloy hemming.
- 2) The foot is made of stainless steel pipe (BT-305 is spray-paint steel pipe). It's attractive and durable.
- 3) It adopts the foldable structure. The compact package can save the storage space.

Standard Size:

- BT-501: 116\*60\*76cm
- BT-502: 116\*60\*76cm
- BT-503: 96\*56\*80cm
- BT-504: 82\*52\*80cm
- BT-305: 116\*60\*76cm

Optional Color:

Black, Blue, Green, Pink.





## Hydraulic Grooming Table

## Model: GT-1H

## Features:

- 1) GT-1H adopts the "Z" type metal structure and the advanced electrostatic paint technology, which makes the table elegant and durable.
- 2) It is driven by high quality hydraulic pump, which makes the table up-and-down smooth and quiet.
- 3) The load capacity is up to 100kg, and the lifting height is from 48cm to 100cm.
- 4) The table-top pattern is beautiful and the material is skid-proof.
- 5) The foldable grooming arm is strong and easy to storage.



## Standard Size:

GT-1H: 110\*60\*(48~100)cm

## Optional Color:

Orange, Dark Blue, Light Bule, Black.

## Hydraulic Grooming Table

## Model: GT-2H, GT-3H, GT-4H, GT-5H

## Features:

- 1) This serial table adopts the "Knocked-down" structure. The compact package size makes transport and place easily.
- 2) It is driven by high quality hydraulic pump, which makes the table up-and-down smooth and quiet.
- 3) The table-top pattern is beautiful and the material is skid-proof.
- 4) The foldable grooming arm is elegant and strong.



## Standard Size:

GT-2H:  $\Phi 70$ \*(82~96)cm, Round tabletop + Rectangle base;  
 GT-3H: 81\*52\*(82~96)cm, Rectangle tabletop + Rectangle base;  
 GT-4H:  $\Phi 70$ \*(82~96)cm, Round tabletop + Round base;  
 GT-5H: 81\*52\*(82~96)cm, Rectangle tabletop + Round base.

## Optional Color:

Orange, Dark Blue, Light Bule, Black.



## Electric Grooming Table

## Model: GT-1E, GT-3E, GT-4E, BT-E802

## Features:

- 1) It adopts the metal structure (X or Z type) and the advanced electro-static paint technology, which makes the table elegant and durable.
- 2) The high quality electric pump and foot switch controller makes the table up-and-down smooth and quiet.
- 3) The load capacity is up to 100kg, and the lifting height is adjustable.
- 4) The table-top pattern is beautiful and the material is skid-proof.
- 5) The foldable structure is to save storage space.

## Standard Size:

- GT-1E: 110\*60\*(39~100)cm  
 GT-3E: 110\*60\*(38~100)cm  
 GT-4E: 120\*65\*(25~107)cm  
 BT-E802: 116\*60\*(58~96)cm

## Optional Color:

Orange, Dark Blue, Light Blue, Black.



GT-1E



GT-3E



GT-4E



BT-E802

## Grooming Tub

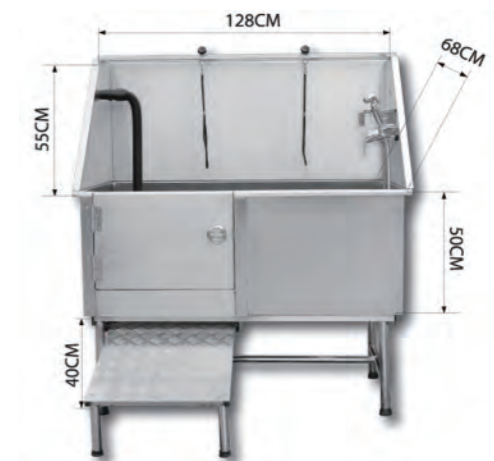
## Model: PT-1S

The stainless steel grooming tub is designed according to the pet's specific bathing requirements. Either the tub size or the specific functions are all help to make the bathing job easy and time-saving. The bath-tub also has bellowing advantages:



## Features:

- 1) It adopts 304 stainless steel, it makes the bath-tub not only has good sealing and solid, but also easily to clean and maintenance.
- 2) The bath-tub adopts key-lock door.
- 3) There are two-section plants on the bottom. User can move the plate suitable for the small pets.
- 4) It's equipped with three-side barriers which can prevent water spills on the floor and keep the grooming room clean and tidy.
- 5) Both sides barriers equipped with pre-cut holes for the water blower. The users can dry the pets directly after bath.
- 6) The bottom is knockdown structure, which can well save the transportation fee and storage space.
- 7) The feet equipped with regulating screws which is for drainage after bath.
- 8) Optional accessories: high pressure tap.

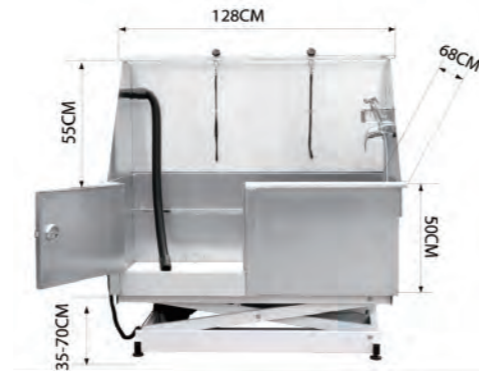




## Electric Grooming Tub

### Model: PT-1E

The electric stainless steel bath-tub is designed according to the pet's specific bathing requirements. Either the tub size or the specific functions are all help to make the bathing job easy and time-saving. The bath-tub also has following advantages



#### Features:

- 1) It adopts 304 stainless steel, it makes the bath-tub not only has good sealing and solid, but also easily to clean and maintenance.
- 2) The bath-tub adopts key-lock door. The height of the bath-tub is controlled by "foot controller".
- 3) There are two-section plants on the bottom. User can move the plate suitable for the small pets.
- 4) It's equipped with three-side barriers which can prevent water spills on the floor and keep the grooming room clean and tidy.
- 5) Both sides barriers equipped with pre-cut holes for the water blower. The users can dry the pets directly after bath.
- 6) The bottom structure for the bath-tub is "X" shape, which is driven by electric pump. The lifting height is from 35cm to 70cm.
- 7) The feet equipped with regulating screws which is for drainage after bath.

## 1-Motor Pet Dryer

### Model: DY-901, DY-902

#### Features:

- 1) The breakthrough technology of the pet dryer brings natural heating and quiet, insulated operation to improve productivity in grooming shops.
- 2) Powerful, high velocity dryer delivers a high volume of warm air to blast water from coats without damaging coats with heat.
- 3) Two-stage filtration and solid state variable speed controls. Two speeds allow you to be carried and handle anywhere you need it.
- 4) The unit has a 3 meters puncture-resistant, triple reinforced, flexible hose with four nozzles options, air concentrator and air flare, to handle all-size pets and all coats.
- 5) Constructed of rugged, durable steel and built to last, with non-skid tabs on bottom.
- 6) Filter is washable and easy to replace.
- 7) Airflow control, air concentrator, air flare and groomer rake, etc.

DY-901



DY-902



#### Specifications:

Stepless wind speed and temperature  
 Power: 2800W, 2.2HP  
 Air speed: 38m/s-48m/s  
 Temperature: 40°C-65°C  
 Power supply: 110-240V  
 Noise: 60DB  
 N.W.: 3.85kg  
 G.W.: 5.40kg



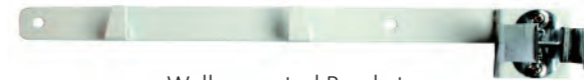
**1-Motor Pet Dryer**  
**Model: DY-105**

**Features:**

- 1) The wind speed and the temperature are stepless.
- 2) It adopts cascade motor with long working life.
- 3) The novel appearance and structure make the blower elegant and gentle noise.
- 4) It equipped with an approximate 3m flexible tube and several nozzles.
- 5) The special bayonet design makes the nozzle changing job easy and time-saving.
- 6) The detachable back-cover makes the cleaning job energy-saving.
- 7) CE certificated.



Stand



Wall-mounted Bracket

**Specifications:**

- Power: 2200W
- Wind speed: 68m/s
- Temperature adjustment: 2-step (30°C, 60°C)
- Wind speed adjustment: stepless
- Power supply: 110-240V
- Noise: 60DB
- Weight: 5.50kg

**Optional Color:**

Yellow, Orange, Pink, Purple

**Optional Parts:**

Wall-mounted Bracket, Stand





## 1-Motor Pet Dryer

## Model: DY-1001, DY-1002

**Features:**

This is a small, compact and powerful pet dryer that blows water, dirt, debris and the undercoat both quickly and efficiently for all the pets.

- 1) Powerful infinitely variable speed motor
- 2) Stepless wind speed and temperature control
- 3) Insulated for quite operation
- 4) Washable filter and easy to replace
- 5) Easy carrying handle
- 6) Unbreakable, rust-proof and dent-proof housing
- 7) Great for any store and home with a pet
- 8) CE certificated

**Specifications:**

Power: 2800W  
 Wind speed: 50m/s  
 Temperature: 40 C -60 C  
 Noise: 60DB  
 Voltage: 110-240V  
 N.W.: 3.85kg  
 G.W.: 5.40kg  
 Size:  $\Phi 160 \times 370$ mm

**Standard Color:**

DY-1001: Yellow  
 DY-1002: Silver (stainless steel sheel)

**Optional Color:**

Yellow, Orange, Black for DY-1001.



DY-1001



DY-1002



Portable 1-Motor Pet Dryer

Model: DY-1011

Features:

- 1) Smart and portable, only 1.3kg, easy to carry everywhere
- 2) Great for any store and home by super power 2500W
- 3) Powerful, durable motors
- 4) Insulated for quiet operation
- 5) Stepless wind and temperature control
- 6) Unbreakable, rust-proof and dent-proof housing
- 7) It can be used for portable or carry it on your back
- 8) CE certificated

Specifications:

- Power: 2500W
- Wind speed: 38m/s
- Temperature: 40°C -65°C
- Noise: 40DB
- Voltage: 110-240V
- N.W.: 1.30kg
- G.W.: 2.15kg





**2-Motor Pet Dryer**  
**Model: DY-206**

**Features:**

- 1) The wind speed and the temperature are stepless.
- 2) It adopts cascade motor with long working life.
- 3) The novel appearance and structure make the blower elegant and gentle noise.
- 4) It equipped with an approximate 3m flexible tube and several nozzles.
- 5) The special bayonet design makes the nozzle changing job easy and time-saving.
- 6) The strong wind speed can be adjusted, which make the drying job quickly and easily.
- 7) CE certificated.



Stand

**Specifications:**

- Power: 2800W
- Wind speed: 68m/s
- Temperature adjustment: 2-step (30 °C , 60 °C )
- Wind speed adjustment: stepless
- Power supply: 110-240V
- Noise: 60DB
- N.W.: 6.2kg

**Optional Color:**

Yellow, Orange, Pink, Purple



Wall-mounted Bracket

## Rechargeable Pet Clipper

## Model: GC-16R

## Features:

- 1) High quality ceramic blades
- 2) Intelligent overcharge protection
- 3) Ni-MH rechargeable battery
- 4) Red light fro charging, green light for full charge
- 5) Quick charge in 4.5 hours
- 6) Can be used 80 minutes after full charge
- 7) Little noise and low vibration design



GC-16R (Blue)



GC-16R (Yellow)



GC-16R (Red)

## Specifications:

Color: Red, Blue, Brown  
 Adapter Input: AC 100V-240V, 50/60Hz  
 Adapter Output: DC 4.2V, 800mA  
 Battery: NI-MH 1.2V x 2  
 Charging Time: 4.5 hours  
 Cordless using time: about 80 minutes

## Pet Clipper

## Model: GC-1A

## Features:

- 1) Professional AC pet Clipper
- 2) Detachable blade
- 3) Power: 35W
- 4) Durable and easy in operation
- 5) Low noise and vibration
- 6) Durable for long time working
- 7) Net weight: 0.9kg/set (not including tool)  
Net weight: 1kg/set (including tool)
- 8) Packing: 10pcs/carton  
Carton size: 53x37x34cm  
Carton weight: 11kg/carton





## Sheep Clipper Model: GC-7A

### Features:

- 1) Professional AC Sheep Clipper
- 2) Power: 350W
- 3) Blade cutting speed: 2500RPM
- 4) Matched with 76mm heavy-duty blade
- 5) Blade protector available
- 6) Blade pressure adjustable with rotatable button
- 7) Low noise and vibration
- 8) With ventilation system to prevent over-heating
- 9) Durable for long time working
- 10) Net weight: 1.8kg/set (not including tool)  
Net weight: 3kgs/set (including tool)
- 11) Packing: 5pcs/carton  
Carton size: 53x38x32cm  
Carton weight: 17kg/carton



## Horse & Cattle Clipper Model: GC-8HA

### Features:

- 1) Professional AC Horse & Cattle Clipper
- 2) Power: 350W
- 3) Blade cutting speed: 2500RPM
- 4) Matched with 1 and 3mm heavy-duty blade
- 5) Blade protector available
- 6) Blade pressure adjustable with rotatable button
- 7) Low noise and vibration
- 8) With ventilation system to prevent over-heating
- 9) Durable for long time working
- 10) Net weight: 1.7kg/set (not including tool)  
Net weight: 3kgs/set (including tool)
- 11) Packing: 5pcs/carton  
Carton size: 62x45x35cm  
Carton weight: 16kg/carton

