



SUCTION

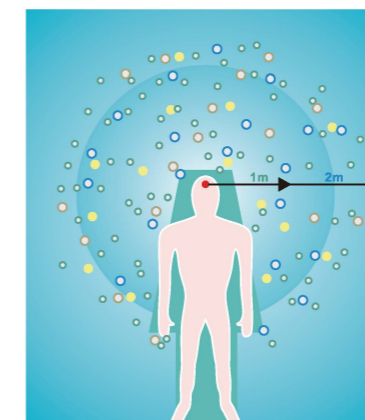
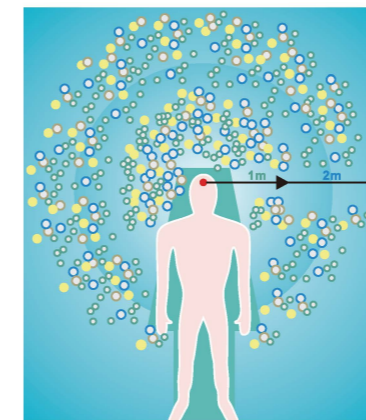


A good oral treatment environment is one of the most important conditions for obtaining high-quality treatment. The Runyes suction system can ensure the clinic a clean, dry, and clear-view oral environment, in which the doctors can more easily carry out the treatment without being interrupted by the patient's swallowing reaction. And a relaxed dentist will also guarantee better service quality and treatment results.



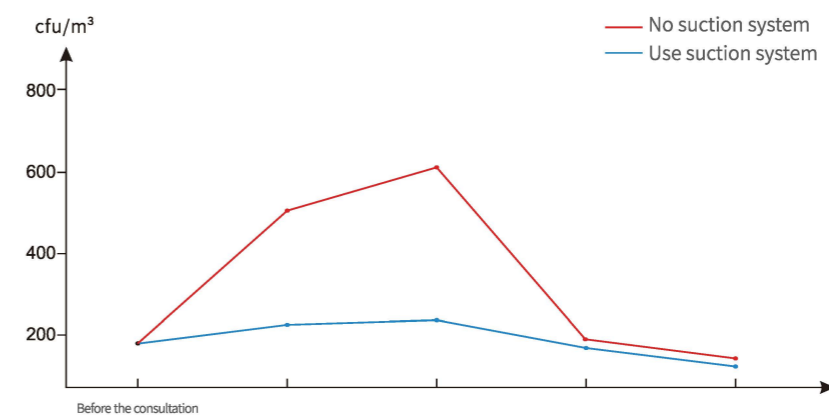
Item	Technical parameter		
Specification Model	ENROLL-01	ENROLL-05	ENROLL-08
Available For Use	1 dental unit	5 dental units	8 dental units
Use Simultaneously	1 unit	3 units	6 units
Suction Efficiency	300L/min	900L/min	1500L/min
Maximum Vacuum	-37KPa	-37KPa	-37KPa
Machine Voltage	AC230V	AC230V	AC230V
Rated Current	3.7~4.4A	3.5~4A	4.5~5A
Vacuum Adjustment	-20KPa	-20KPa	-20KPa
Noise	50DB	59DB	61DB
Frequency	50~60Hz	0~70Hz	0~65Hz
Motor Power	550W	630W	1300W
Motor Speed	3440 rpm	3980 rpm	3740 rpm
Inverter Power	—	750W	2200W
Intake Pipe Size	32mm	32mm	32mm
Net Weight	32Kg	33Kg	37Kg
Machine Dimension	330×540×620mm	410×510×610mm	410×510×630mm
Country of origin	China	China	China

Solve pollution from the source



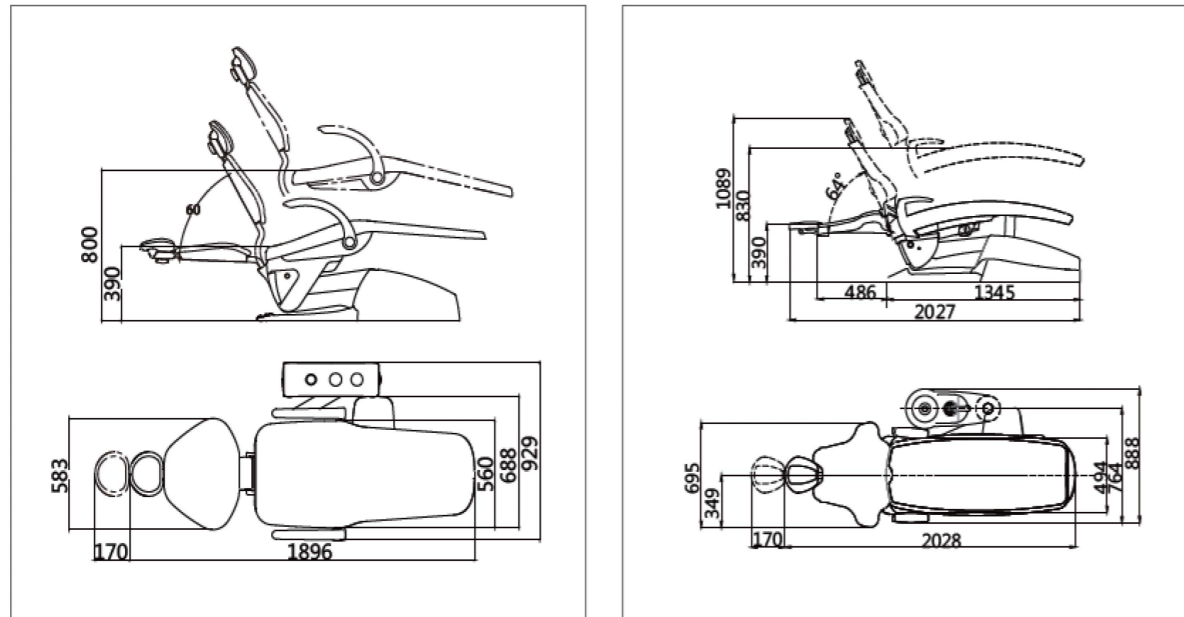
During dental surgery, a lot of bacteria-containing aerosols are generated around the dental chair. The method of air circulation has no effect on these invisible enemies. The only way is to solve the pollution from the source, should adopt the suction machine of advanced technology such as negative pressure semi-dry type, two-stage separation type. It has a suction efficiency of 300 liters per minute, instantly sucking the bacterial aerosol in the patient's mouth, and preventing bacterial contamination at the source.

Ensure fresh air during operation



AJJ
HEALTHCARE MANAGEMENT PTE LTD

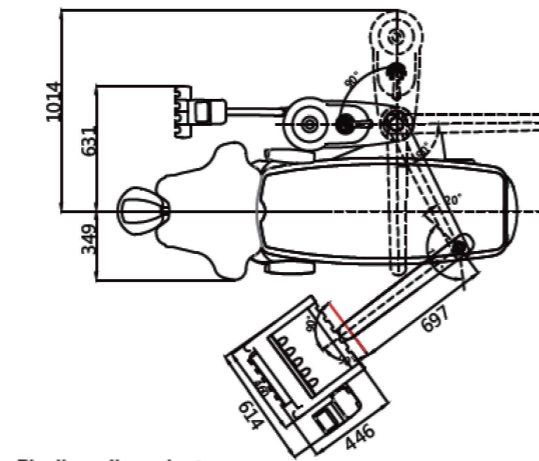
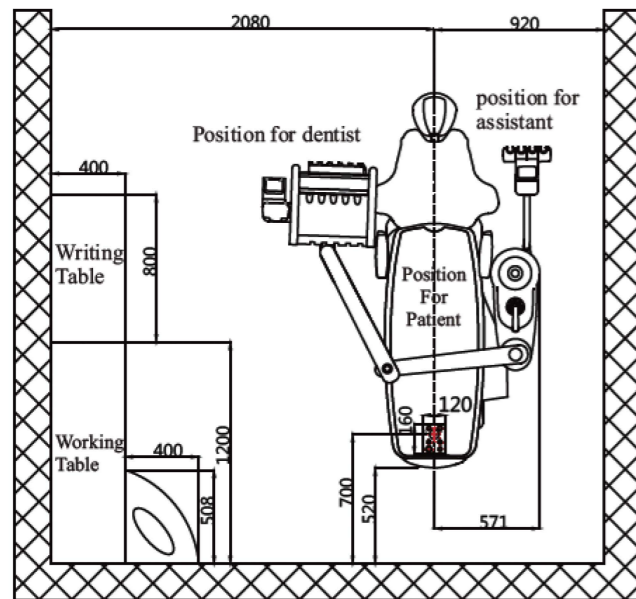
Limited Position



CARE 11/CARE 22

CARE 33

Layout Drawing



Pipelines dimension:
 Outlet pipe: 150mmX150mm
 Inflow pipe: ϕ 8X5.5mm
 Air inflow pipe: ϕ 8X5.5mm
 Draining pipe: ϕ 50mm
 Power cord: 3X1.5mm² 3-cores

Enroll Suction Unit



ENROLL-01



ENROLL-05



ENROLL-08

ENROLL-01	The aspiration power of ENROLL-01 is 300 litres / min. It is designed as a suction unit for one dental chair.
ENROLL-05	It can be connected up to 5 treatment sites and can be used for 3 dental chairs at most.
ENROLL-08	It can be connected up to 8 treatment sites and can be used for 6 dental chairs at most.

Specification model	It can supply up to	It can be used by up to	Suction force	Maximum vacuum	Host voltage	Rated current	Vacuum regulation
ENROLL-01	1treatment site	1dental unit	300L/min	-37KPa	AC230V	3.7~4.4A	-20KPa
ENROLL-05	5treatment site	3dental unit	900L/min	-37KPa	AC230V	3.5~4A	-20KPa
ENROLL-08	8treatment site	6dental unit	1500L/min	-37KPa	AC230V	4.5~5A	-20KPa

Specification model	Noise	Frequency	Motor power	Motor speed	Inverter power	Intake tube size	Net weight	Size
ENROLL-01	50DB	50~60Hz	550W	3440 rpm	—	32mm	32Kg	330×540×620mm
ENROLL-05	59DB	0~70Hz	630W	3980 rpm	750w	32mm	33Kg	410×510×610mm
ENROLL-08	61DB	0~65Hz	1300W	3740 rpm	2200 w	32mm	37Kg	410×510×630mm